

ON-1475

Power by CUMMINS

KTA50-GS8

Prime power: 1180KW/1475KW

Standby power: 1280KW/1600KVA

GENERATING POWER SOLUTIONS

Increased availability for new operations

Reliable, robust and versatile generator.
Ready to deliver power for a next job.

Increased uptime during operations

Once installed on the end-user-site, the generator will be ready to run: "peace of mind" operation.

Reduced transport and installation costs

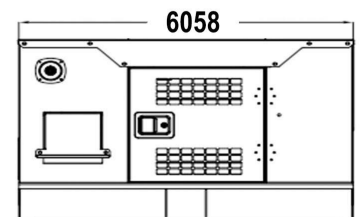
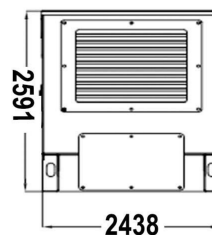
The compact and robust design with integrated transport features enables faster and safer transport and installation.

Reduced service & maintenance costs

Longer service intervals.
Quicker and more efficient service jobs.

Premium resale value

Designed and built to last.



ONEWPOWER

WWW.ONEWPOWER.COM

DIMENSION		OPEN TYPE	SILENT TYPE
Length (L)	mm	5520	6058
Width (W)	mm	2270	2438
Height (H)	mm	2450	2591
Dry weight	kg	10950	12500
Fuel tank	L	TBD	TBD

Technical Data

Model ON-1475

Rated prime power	KW	1180
Rated standard power	KW	1280
Rated voltage line to line	V	380~415
Maximun sound level	dB(@7m)	≤72

Engine

Model		KTA50-GS8
Aspiration		Turbocarged , Aftercooled
Fuel system		Dircet injection
No. cylinders		16
Displacement	Liquid	50.3
Bore*Stroke	mm	159*159
Compression ratio		15:01
Rated speed	r/min	1500
Rated net power(with fan)	Kw	1280
Governor type		Electronic

Exhaust system

Exhaust gas flow		4350 L/S
Exhaust gas temp	° F (° C)	<510
Max back pressure		10KPA

Aspiration system

Max inlet pressure	kPa	≤3.5
Combustion volume	L/s	/
Air flow		1655 L/S

Fuel system

100% load(Prime power)	L/h	309
75% load(Prime power)	L/h	238
50% load(Prime power)	L/h	167
Fuel tank capacity	L	TBD

Lubrication system

Oil capacity	L	177
Oil consumption	g/kwh	28.3
Oil pressure	kPa	10
(continuous operation)		

Cooling system

Coolant capacity	L	348
Thermostat operation range	°C	76-88
Max water temperature	°C	98

Alternator

Model		ON-1475
Phase		3
Voltage	V	380~415
Bearing		1
Power factor		0.8
Frequency	Hz	50
Prime power	KW	1180
Exciter Type		Brushless, self-excitation
Voltage regulation	%	±1.0
Protection Grade		IP 23
Insulation grade		H/H
Altitude	m	≤1000

Controller

- Model
- Protective functions:
- Low oil pressure
 - High water temperature
 - High/low voltage
 - High Engine Temperature and Overspeed.
 - Voltage regulator frequency regulator
 - Emergency stop
 - Start failure



Control Module Options



- Auto generator control module
- Control module with "Three Remote Control" functions
- ATS auto load transfer screen
- Synchronising control modules
- Power output cabinet

Standard features

- Engine ●
- Radiator 50°C max, fans are driven by belt ●
- 24V charge alternator ●
- Alternator: single bearing alternator IP23, insulation class H/H ●
- Standard auto control system ●
- One set of air filter, fuel filter, oil filter ●
- Main line circuit breaker/MCCB ●
- Base fuel tank ●
- Two 24V batteries, rac and cable ●
- Exhaust system(Ripple flex exhaust pipe, exhaust siphon, flange, muffler) ●
- User manual ●

Options

- Battery charge ○
- Engine heater ○
- Alternator heater ○
- PMG ○
- Water oil separator ○
- Daily fuel tank ○
- Remote control panel ○
- Automatic transfer switch/ATS ○
- Switch box ○
- Standard: ● Options: ○

Warranty

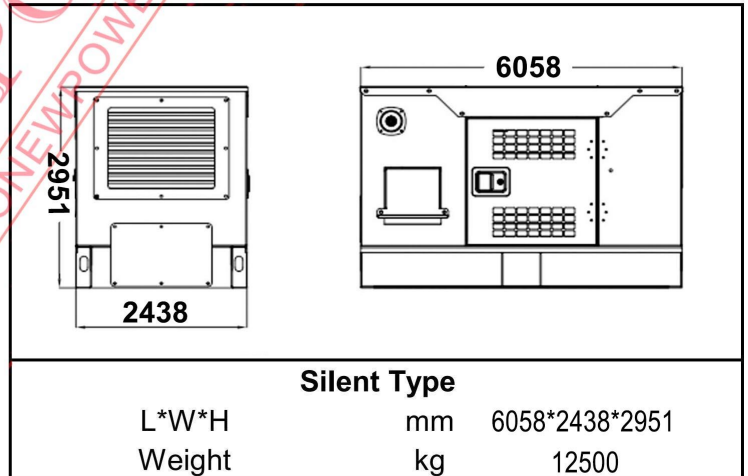
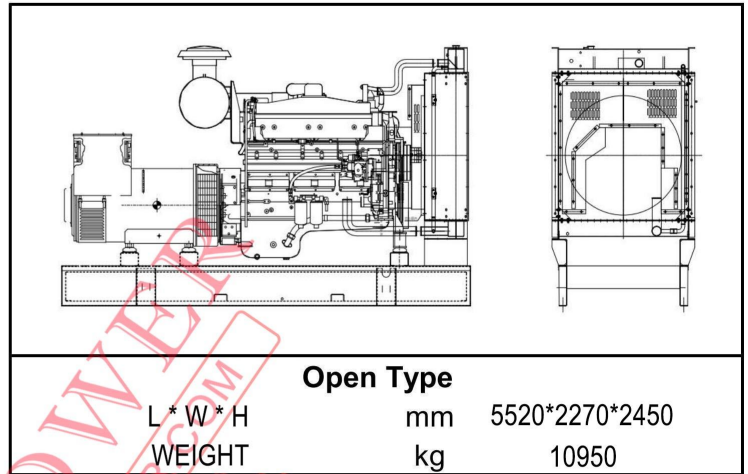
CUMMINS ENGINE

12 months from date of purchase and 1000 hours.

Generator

12 months from date of purchase or 1000 hours (whichever occurs first).

Dimensions



ONEWPOWER

ADD: NO . 1 0 7 XIYUAN ROAD , JINAN DISTRICT, FUZHOU CITY, FUJIAN, CHINA

Phone: 15980204507 E-mail: jina@onewpower.com

WWW.ONEWPOWER.COM

