

# ON-16

## Power by Perkins

# 403D-15G

Prime power: 13KW/16KVA

Standby power: 14KW/17KVA

## GENERATING POWER SOLUTIONS

### Increased availability for new operations

Reliable, robust and versatile generator.  
Ready to deliver power for a next job.

### Increased uptime during operations

Once installed on the end-user-site, the generator will be ready to run: "peace of mind" operation.

### Reduced transport and installation costs

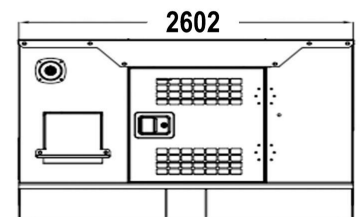
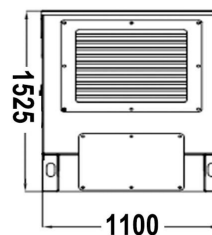
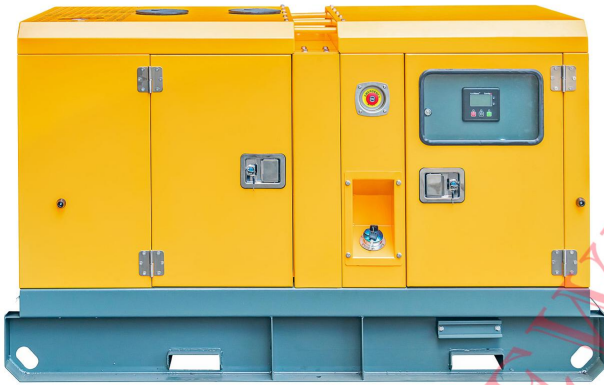
The compact and robust design with integrated transport features enables faster and safer transport and installation.

### Reduced service & maintenance costs

Longer service intervals.  
Quicker and more efficient service jobs.

### Premium resale value

Designed and built to last.



# ONEWPOWER

[WWW.ONEWPOWER.COM](http://WWW.ONEWPOWER.COM)

DIMENSION		OPEN TYPE	SILENT TYPE
Length (L)	mm	1620	2602
Width (W)	mm	950	1100
Height (H)	mm	1400	1525
Dry weight	kg	950	1500
Fuel tank	L	100	100

## Technical Data

### Model ON-16

Rated prime power	KW	13
Rated standard power	KW	14
Rated voltage line to line	V	220~480
Maximun sound level	dB(@7m)	≤72

### Engine

Model		403D-15G
Aspiration		Naturally aspirated
Fuel system		mechanical pump
No. cylinders		3
Displacement	Liquid	1.496
Bore*Stroke	mm	84*90
Compression ratio		22.5:1
Rated speed	r/min	1800
Rated net power(with fan)	Kw	14
Governor type		Mechanical

### Exhaust system

Exhaust gas flow		3.14 m <sup>3</sup> /min
Exhaust gas temp	° F (° C)	<455
Max back pressure		10.2 kPa

### Aspiration system

Max inlet pressure	kPa	≤3.5
Combustion volume	L/s	/
Air flow	L/sec	TBA

### Fuel system

100% load(Prime power)	L/h	4.3
75% load(Prime power)	L/h	3.3
50% load(Prime power)	L/h	2.4
Fuel tank capacity	L	100

### Lubrication system

Oil capacity	L	6
Oil consumption	g/kwh	28.3
Oil pressure	kPa	10
(continuous operation)		

### Cooling system

Coolant capacity	L	6
Thermostat operation range	°C	76-88
Max water temperature	°C	98

### Alternator

Model		ON-16
Phase		3
Voltage	V	220~480
Bearing		1
Power factor		0.8
Frequency	Hz	60
Prime power	KW	13
Exciter Type		Brushless, self-excitation
Voltage regulation	%	±1.0
Protection Grade		IP 23
Insulation grade		H/H
Altitude	m	≤1000

### Controller

- Model
- Protective functions:
- Low oil pressure
  - High water temperature
  - High/low voltage
  - High Engine Temperature and Overspeed.
  - Voltage regulator frequency regulator
  - Emergency stop
  - Start failure



### Control Module Options



- Auto generator control module
- Control module with "Three Remote Control" functions
- ATS auto load transfer screen
- Synchronising control modules
- Power output cabinet

## Standard features

- Engine ●
- Radiator 50°C max, fans are driven by belt ●
- 24V charge alternator ●
- Alternator: single bearing alternator IP23, insulation class H/H ●
- Standard auto control system ●
- One set of air filter, fuel filter, oil filter ●
- Main line circuit breaker/MCCB ●
- Base fuel tank ●
- Two 24V batteries, rac and cable ●
- Exhaust system(Ripple flex exhaust pipe, exhaust siphon, flange, muffler) ●
- User manual ●

## Options

- Battery charge ○
- Engine heater ○
- Alternator heater ○
- PMG ○
- Water oil separator ○
- Daily fuel tank ○
- Remote control panel ○
- Automatic transfer switch/ATS ○
- Switch box ○
- Standard: ● Options: ○

## Warranty

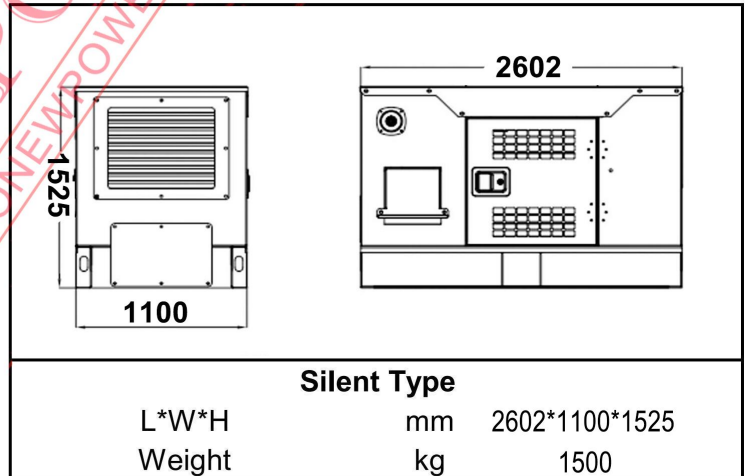
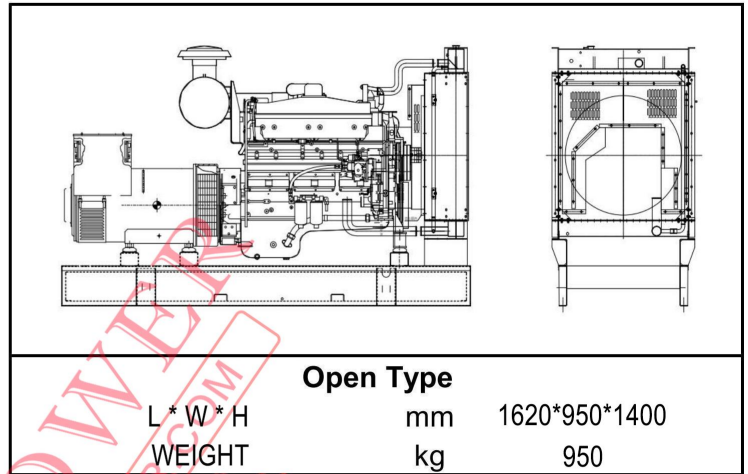
### CUMMINS ENGINE

12 months from date of purchase and 1000 hours.

### Generator

12 months from date of purchase or 1000 hours (whichever occurs first).

## Dimensions



## ONEWPOWER

ADD: NO . 1 0 7 XIYUAN ROAD , JINAN DISTRICT, FUZHOU CITY, FUJIAN, CHINA

Phone: 15980204507 E-mail: jina@onewpower.com

WWW.ONEWPOWER.COM

